

For storage,
harvesting &
fermentation ...

Vintage Bins



VARIETY VERSATILITY VALUE



SQ660 (Stacked)



SQ1000

Extensive range available ■ Hygienic Food Grade ■ High strength & robust ■ Solid polyethylene skin
Expanded polyethylene core ■ Fully recyclable ■ Easy to clean and maintain ■ Weldable & stackable
Name plate, dust cover lid & colour options ■ 4 way fork entry ■ Rotating fork pockets ■ UV resistant

Omni Manufacturing

Phone +61 8 9437 4949

Fax +61 8 9437 4948

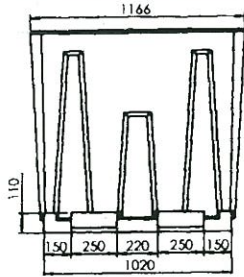
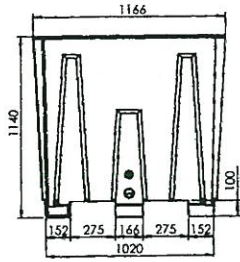
Email omnico@inet.net.au



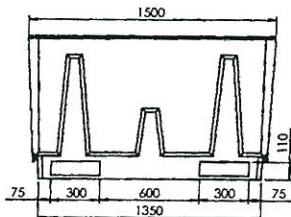
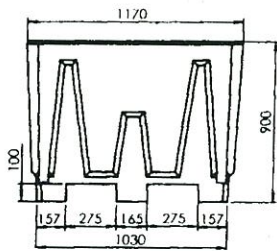
Find us online at

www.omnimanufacturing.com

SQ 1000



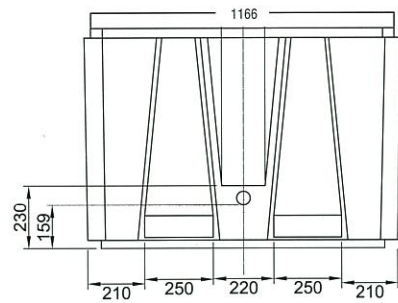
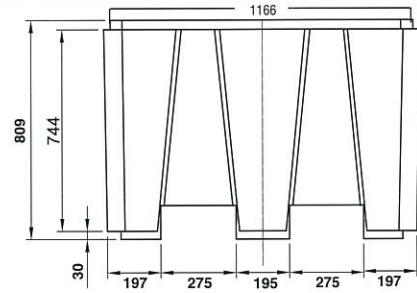
R 1000



RANGE

Size	Dimensions
R2750 (2750 Litre)	2300 x 1270 x 1300mm
R2100 (2100 Litre)	2250 x 1140 x 1130mm
R1700 (1700 Litre)	2250 x 1140 x 950mm
R1000 (1000 Litre)	1170 x 1500 x 900mm
SQ1000 (1000 Litre)	1166 x 1166 x 1140mm
SQ660 (660 Litre)	1166 x 1166 x 809mm

SQ 660



OMNI VINTAGE BIN FEATURES!

- Hygienic Foodgrade
- Industrial strength
- Durable long life
- Fully Recyclable
- Easy to clean & maintain
- Weldable & stackable
- Logo/Name-plate option
- Lid option
- 4-way fork pockets
- Rotating fork pockets
- Fully UV resistant
- Solid polyethylene Skin
- Expanded polyethylene core
- Various sizes available
- Can be used as open fermenters



Phone +61 8 9437 4949
 Speak to Patrick, Luc or Gary for complete details and pricing.