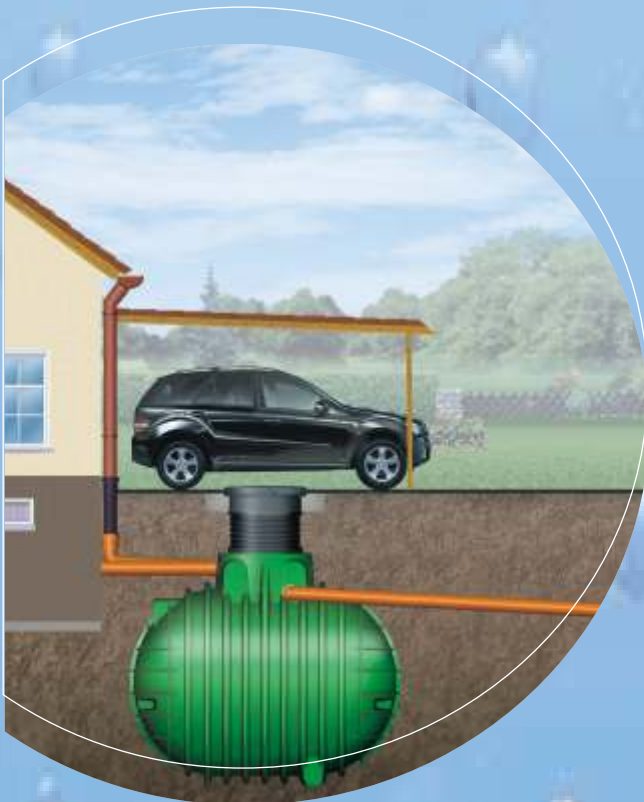


Saving the environment - Saving water

with the unique
Garantia rainwater
harvesting systems



The perfect solution:

- ▶ State of the art rain water harvesting technology
- ▶ Amazing German engineered underground tank system
- ▶ Stunning technology with self cleaning filter
- ▶ Simple to install - very low maintenance



A brilliant way to harvest rainwater for use in your home and garden



Are you aware that the average home in Australia has in the region of 250,000 litres of water pass over its roof?

In a place where water is precious, where water restrictions are a part of life, it surely makes sense to capture some of that 250,000 litres that runs to waste and save it for when it's needed.

The Garantia rainwater harvesting system means that all home owners no matter what size their property, can now harvest a portion of that water, saving it for the hot dry summer in the most revolutionary underground tank system yet designed!

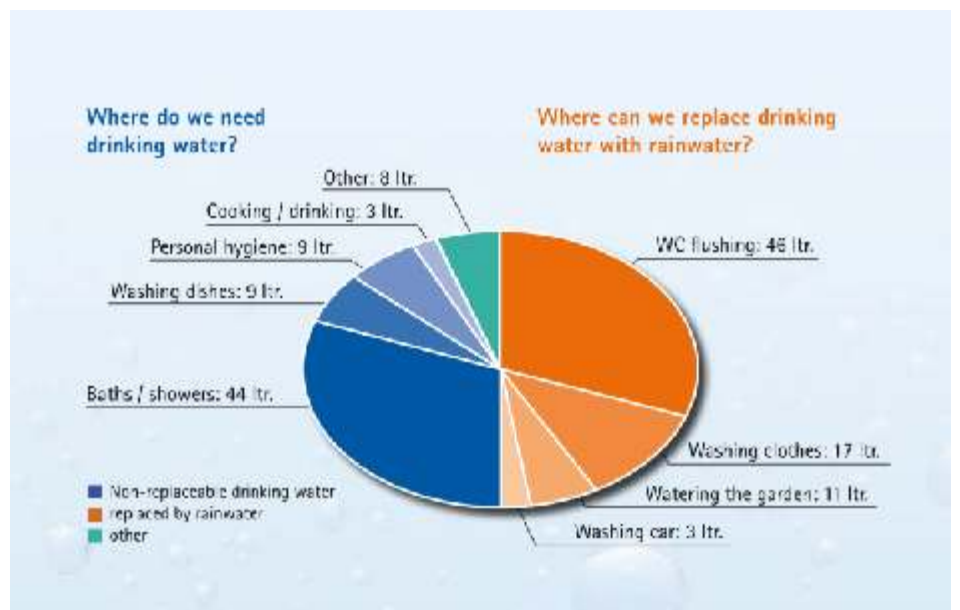
Gone are the days of an ugly tank. Gone are the days when a tank took up valuable space in a garden.

Garantia's water harvesting system stores collected rainwater underground, keeping it cool, out of the way and in the dark to make it virtually immune to algal growth.

It is a genuine, properly designed rainwater harvesting system.

This water can be used in the home for toilets, laundry, general cleaning purposes, for washing the car, for washing and watering pets and of course for garden reticulation.

One of the unique aspects of Garantia's



underground tanks is that they're made in one seamless piece by what's known as roto-mould construction.

This absolute, leak-proof system outmodes other systems.

Garantia water tanks are German engineered. They come with a 15 year warranty and such is their strength, they have the capacity with an extra fitting to be placed under driveways and carports easily withstanding the weight of vehicles running over them.

But that's not all, the technology that has gone into designing these tanks makes the assembly of piping, filters and pump remarkably easy.

- Maintenance free tank
 - Maintenance free filter
 - Maintenance free pump system
 - German engineered tanks with Australian iconic pumps and controllers
- It's a brilliant system. You'll be amazed....

The Columbus - GARANTIA®

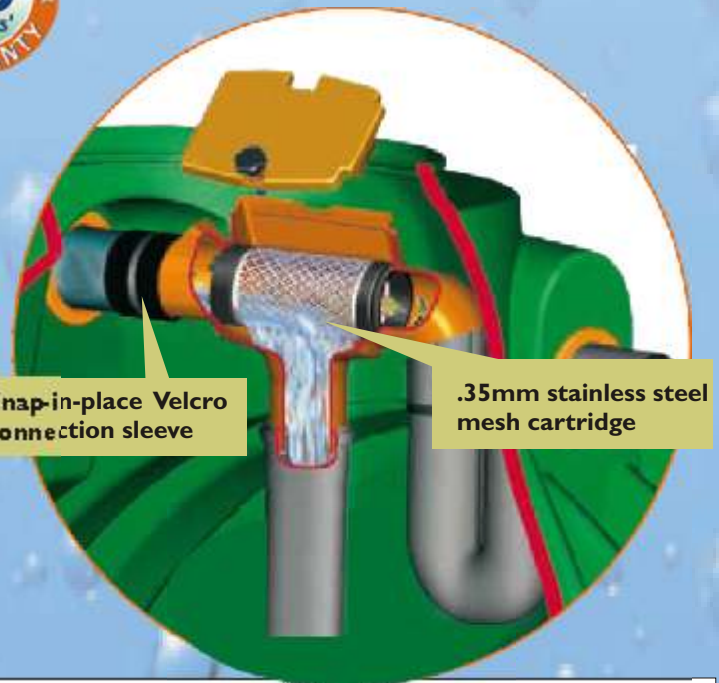
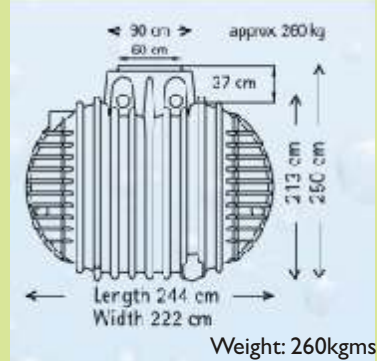
6500 litres: big on capacity, big on features



Unique Supra filtration system ensures water cleanliness



Dimensions:



Snap-in-place Velcro connection sleeve

.35mm stainless steel mesh cartridge

The Garantia Columbus underground tank is a complete system, specially designed for rainwater harvesting, to provide a safe, clean environment for water storage.

It is designed to last many years and comes with a 15 year guarantee.

- One piece seamless tank made by the roto-mould process
- Modular extendable system that can be coupled to additional tanks
- Reliable, easily serviced Onga Dominator pump provided with Waterswitch for customer control
- Absolute safety - child proof entry
- Amazingly simple installation system
- Pedestrian and driveway manhole options

Unique filter system

The Garantia Columbus home water harvesting system comes with an internal Supra filter system.

This highly efficient self cleaning, state of the art filtration system gives a 95% water yield.

The filter uses a .35mm stainless steel mesh cartridge that uses just 5% of the water flow to self clean carrying away debris through the overflow to ensure good quality water.

Installing the Supra filter is quick and remarkably easy

- No tools required
- No tape
- No threading
- Easy access
- Maintenance free
- Absolutely odour proof
- Vermin / rodent guard prevents entry
- Should the tank ever need decontaminating access is simple and the filter system is easy to dis-semble without requiring tools.

The Rondus - 3000 Litres capacity, the flat out allrounder

- ▶ Shallow excavation
- ▶ Stable in high ground water

Unique design gives fantastic stability

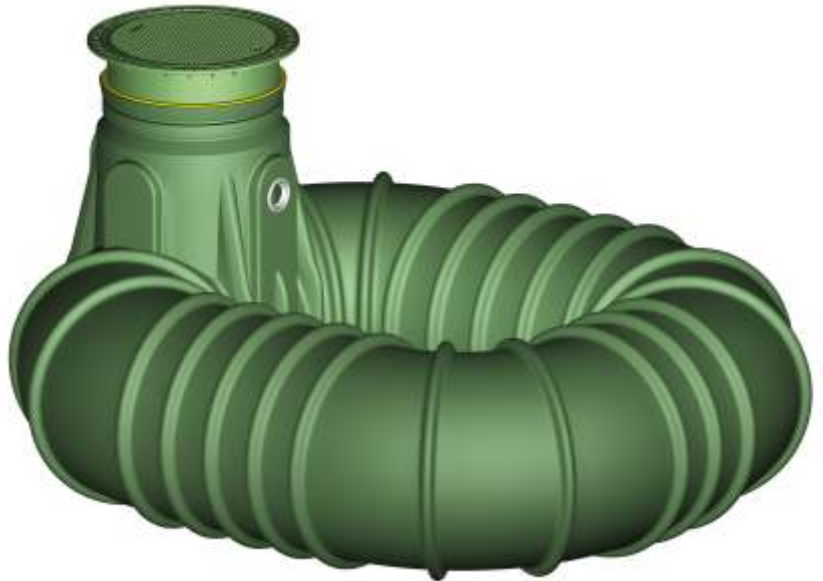
The Rondus underground tank offers the highest possible stability in an underground tank thanks to its unique construction method.

Because of its construction, stability is extraordinary. It can be completely installed in groundwater or stratum water (with an anti buoyancy measure) and still remain stable.

The Garantia Rondus underground tank comes as a complete system, specially designed for rainwater harvesting.

It's unique donut design enables it to be installed without the need for deep excavation.

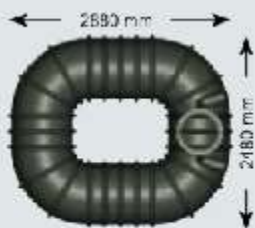
- Donut style seamless manufacture ensures against leakage
- Modular extendable system easily linked to additional tanks
- Inbuilt self cleaning filter system
- Reliable, easily serviced Onga Dominator pump complete with WaterSwitch for automatic control
- Absolute safety child proof entry
- Amazingly simple installation system



Rondus 3000 Litre-iter



Weight: 180kgs



10 kg
10 kg

An illustration of the shallow excavation required for the Rondus in comparison to a typical tank of the same volume



Pedestrian and driveway manhole options



Water supply delivered by an Onga Dominator

The Onga Dominator submersible pump linked to the Onga WaterSwitch delivers water from the tank to your home or garden reliably and efficiently.

A continuous water pressure is supplied for delivering water from the tank to your home toilets, laundry and to points in the garden.

The WaterSwitch controls the pump ensuring water is delivered into the system when required.

The system is connected to the mains water supply but only permits mains water entry if the tank supply runs empty.

The switch to mains supply is done automatically without any need for attention and automatically reverts to tank water when the tank water is replenished.

It ensures mains water is used only when necessary thus saving mains water and maximizing your mains water savings.

Watermark approved 2 year warranty.



- More than 1500 Onga dealers throughout Australia should the pump system ever require attention.

Rainwater Harvesting Systems

Columbus 6500 Litre

Complete Garden Package

934043600064-1

- Tank with lockable pedestrian manhole lid.
- Plus In-line self cleaning Supra filter
- Plus submersible pump with automatic controller



Rondus 3000 Litre

Complete Garden Package

934043600060-3

- Tank with lockable pedestrian manhole lid.
- Plus In-line self cleaning filter
- Plus submersible pump with automatic controller



Driveway Manhole Accessory

934043600065-8
2.2ton axle load



Driveway Manhole Accessory

934043600061-0
2.2ton axle load



Rainwater Harvesting Systems



Amphora 300/500 litre tanks



Stylish above ground rainwater tanks

Simple drain cock

300 litre - 130cm high
Weight - 12kg

500 litre - 150cm high
Weight - 17kg

Column tanks



Column tanks

330 litres	590mm width	1610mm height
500 litres	730mm width	1930mm height
1000 litres	910mm width	2220mm height
2000 litres	1280mm width	2226mm height

Wall tank

550 litres	880mm width	2120mm height
------------	-------------	---------------

Percolation Tunnel



Replaces Soakwell
High percolation performance -
Equivalent of 37m of drainage pipe and
800kg of gravel - this means less
excavation and less cost.

Can be extended if required.

Distributed by:

Herkules - Tank[®]

For above and below ground installation

Volume can be increased by simply connecting multiple tanks.

Dimensions:

1600 Litres
Height 160cms
Weight 60kgs
Diameter 135cms



PO Box 1182 Bibra Lake WA 6965
Tel : 08 9437 4949 Fax : 08 9437 4948
lucmain@iinet.net.au